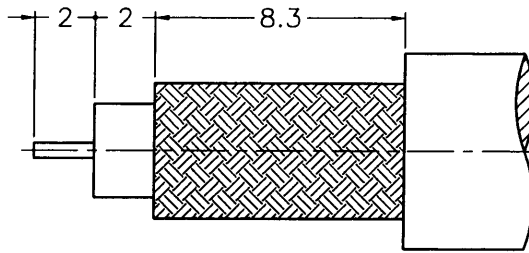
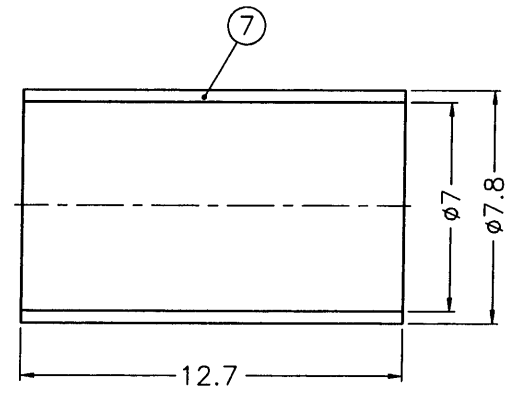
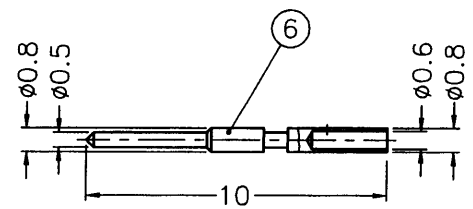
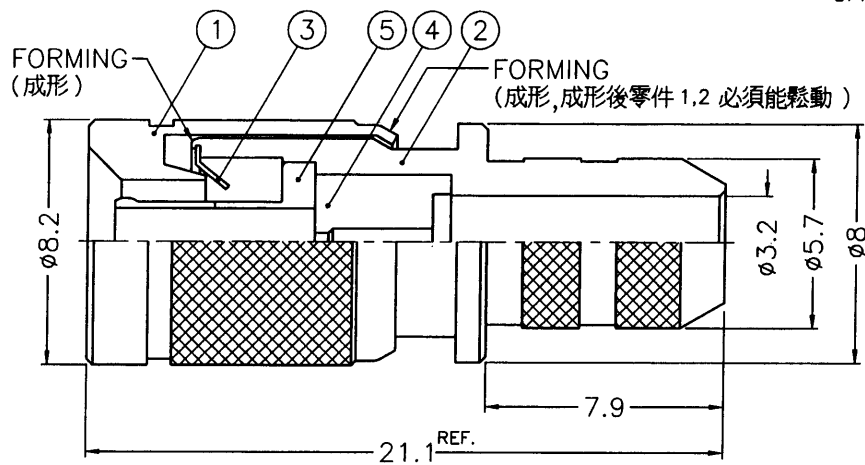


1 2 3 4 5 6 7 8

REVISIONS		
ISS	ZONE	DESCRIPTION\PER REQUEST\DATE



RECOMMENDED
CABLE STRIPPING DIM'S
(建議剝線尺寸)



- NOTES: FINISH (PLATING THICKNESS IN MICRO-INCHES)
1. BRASS PER QQ-B-626
 2. BERYLLIUM COPPER PER QQ-C-530
 3. NICKEL PL. 100 MIN. THICK OVER COPPER STRIKE
 4. GOLD PL. 3 MIN. THICK OVER NICKEL PL. 100 MIN. THICK OVER COPPER STRIKE
 5. TEFLON MIL-P-19468
 6. JIS H 3250, C 2700

1. CRIMPED FERRULE
HEX CRIMP SIZE .255"

NO.	DESCRIPTION	MATERIAL	FINISH	Q'TY	DRAWING NO.
7	FERRULE		NOTE 6	NOTE 3	1 FR-78/7X127
6	CONTACT PIN		NOTE 1	NOTE 4	1 1231121D2-7-08/06
5	OUT CONTACT		NOTE 2	NOTE 4	1 1231121D1-6-B
4	INSULATOR		NOTE 5	NATURAL	1 1231121D4-4T-75
3	SPRING		NOTE 2	NATURAL	1 123-PLUG-SPR
2	BODY		NOTE 1	NOTE 3	1 1231121D4-2-57/32-75
1	SHELL		NOTE 1	NOTE 3	1 1231121D2-1

DIMENSIONS ARE IN MILLIMETERS	
UNLESS OTHERWISE SPECIFIED TOLERANCES	
0.5-6	= ±0.2
6-30	= ±0.4
30-120	= ±0.6
120-315	= ±1
315-1000	= ±1.6
1000-2000	= ±2.4

PART NO.	
APPROVED	DATE 04-03-00'
CHECKED	DATE 04-03-00'
DRAWN	DATE 04-03-00'

Amphenol - Kai Jack	
TAINAN TAIWAN	
TITLE	1.0/2.3 CRIMP PLUG
DRAWING NO.	KJ-1231121D4-N/3GT3G-3C2W-75
FILE NO.	F:\DWG\123\1121D4\3C2W\75\N3GT3G

F
E
D
C
B
A

F
E
D
C
B
A

1 2 3 4 5 6 7 8